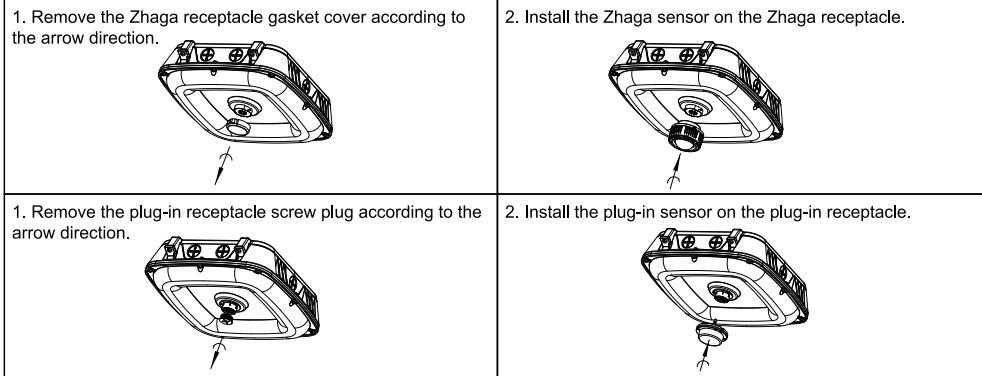


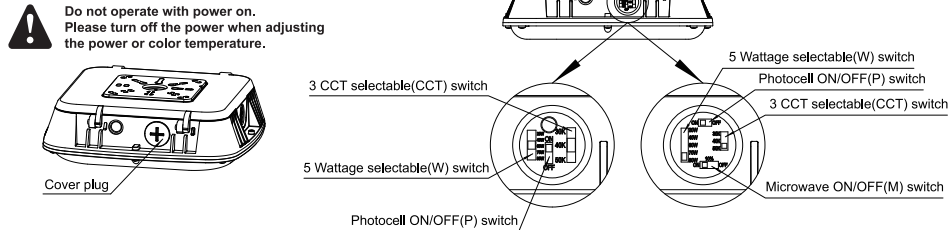
## Sensor Installation:



## FUNCTION ADJUSTMENT

Follow instructions below to change the Fixture Power (W) and/or Color Temperature (CCT) from factory settings:  
 Factory Default Settings: Max wattage, 5000K

1. Remove the selector switch cover plug as shown in the figure.
2. Select Color Temperature(CCT), Power (W), Photocell ON/OFF(P) position, and/or Microwave ON/OFF(M) position by sliding the respective switch to the desired value.



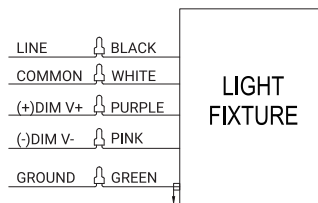
## WIRING INSTRUCTION

**WARNING: TURN OFF POWER BEFORE CONNECTING WIRES.**

Black wire connects to L, White wire connects to N, Green wire connects to GROUND.

For 0-10V dimming, the wiring direction as below

1. Turn off the power
  2. Connect the BLACK wire with the LINE.
  3. Connect the WHITE wire with the COMMON
  4. Connect the GREEN wire with the GROUND
  5. Connect the PURPLE wire with the(V+)DIM
  6. Connect the PINK wire with the(V-)DIM
- Caution: DO NOT connect the PINK(-)DIM V- wire with GROUND



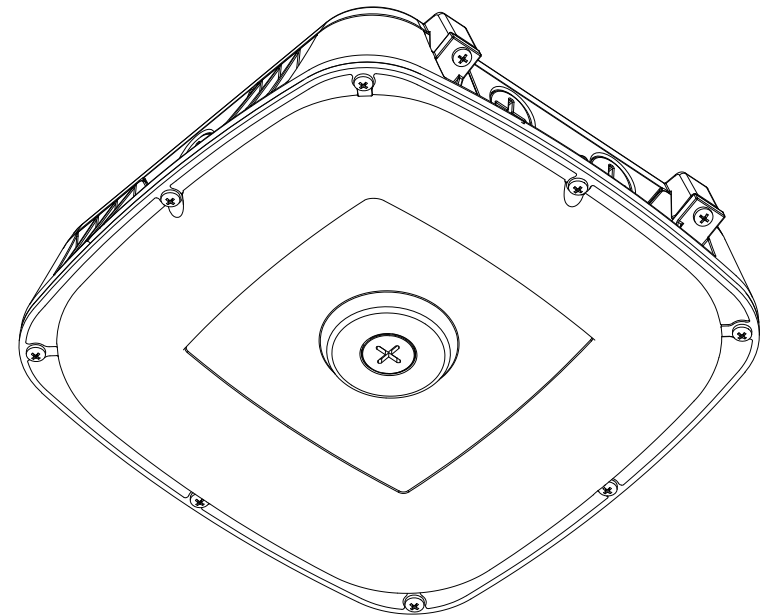
## MAINTENANCE AND CLEANING

**WARNING: TURN OFF POWER BEFORE MAINTENANCE AND CLEANING.**

1. Before touching the fixture, make sure the fixture is cooling.
2. Do not clean or maintain while the fixture is energized.
3. Clean the lens & fixture with a non-abrasive glass cleaning solution.
4. Do not open the fixture to clean and touch LED chips.

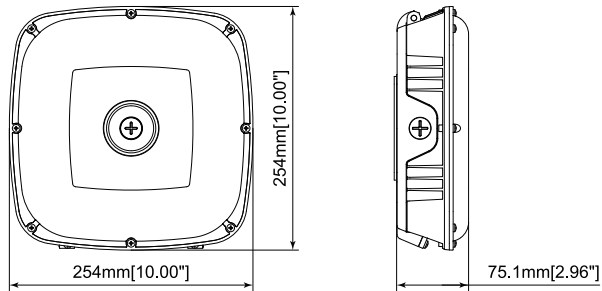
# LED Garage Canopy

## Installation Instructions



80W

## DIMENSIONAL DRAWING



## IMPORTANT CAUTION

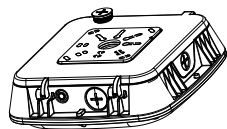
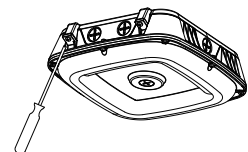
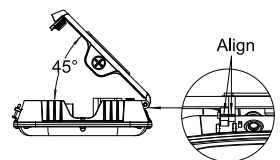
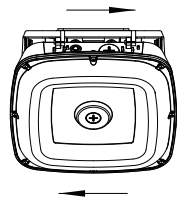
**READ CAREFULLY BEFORE INSTALLING FIXTURE. RETAIN THESE INSTRUCTIONS FOR FUTURE REFERENCE.**

**WARNING: TURN OFF POWER BEFORE INSTALLATION.**

1. Review the diagrams before beginning, and make sure the fixture is grounded properly.
2. This fixture has to be installed or maintained in accordance with the application code by a professional person who is familiar with the construction and operation of the product and the hazards involved.
3. This fixture must be wired in accordance with the international electrical code and applicable local codes and ordinances.
4. Proper grounding is required to ensure personal safety. Carefully observe the correct grounding procedure under the installation section.
5. Check that the voltage is compatible with the fixture driver, and use approved connectors for all electrical connections.
6. Please do not disassemble, repair, or modify the light fixtures without permission. Avoid causing damage to the light fixtures and other undesirable consequences.

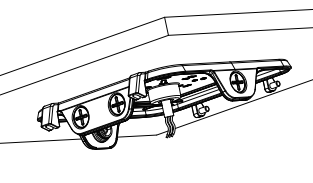
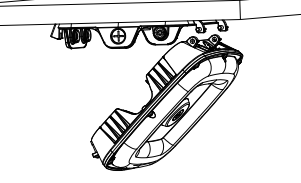
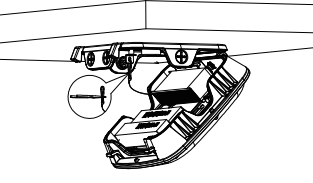
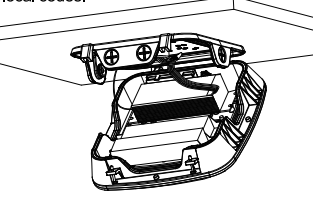
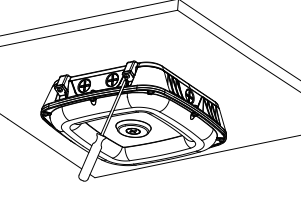
## INSTALLATION

### Preparation Before Installation:

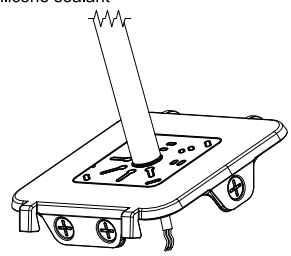
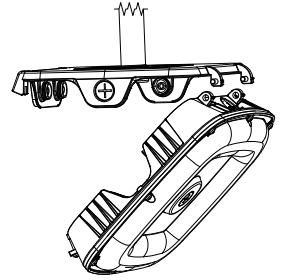
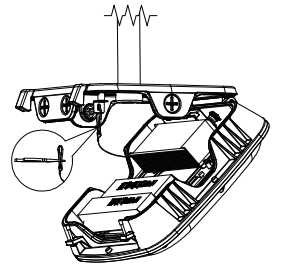
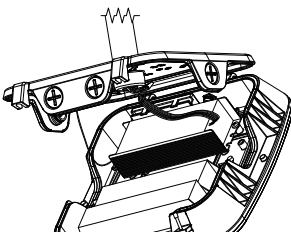
<p>1. Remove the plug from the top of the fixture to expose the NPT threads.</p> 	<p>2. Loosen the screws on the front of the housing.</p> 
<p>3. Let the front housing and the rear cover form a 45° angle by aligning with the scale at the shaft.</p> 	<p>4. Slide the front housing to detach from the rear cover.</p> 

## INSTALLATION

### Surface Mounting:

<p>1. Drill holes according to the mounting holes on the cover and fix the cover to the ceiling with mounting screws.</p> 	<p>2. Re-attach the front housing to the rear cover by connecting the hinges.</p> 	<p>3. Use the needle-nose pliers to unfasten the buckle on the safety rope and engage it in the hook of the upper cover.</p> 
<p>4. Turn off the power, make electrical connections as shown in the wiring diagram, use approved wiring connectors and wire to local codes.</p> 	<p>5. Close the housing and screw it down, be careful not to clamp the wires. Installation complete.</p> 	

### Pendant Mounting:

<p>1. Fix the cover to the 3/4" threaded conduit pipe. Note: Seal thread using Teflon tape or silicone sealant</p> 	<p>2. Re-attach the front housing to the rear cover by connecting the hinges.</p> 	<p>3. Use the needle-nose pliers to unfasten the buckle on the safety rope and engage it in the hook of the upper cover.</p> 
<p>4. Turn off the power, make electrical connections as shown in the wiring diagram, use approved wiring connectors and wire to local codes.</p> 	<p>5. Close the housing and screw it down, be careful not to clamp the wires. Installation complete.</p> 