

# RFBASE

## Bollard Retrofit Base Kit



### DESCRIPTION

The RFBASE allows for retrofit installation of Pantheon bollards onto most existing anchor bolt patterns. The two-piece die-cast aluminum base kit consists of an adapter plate for mounting onto existing anchor bolts and a bollard mounting cover plate for installation of the bollard. The universal adapter features slots for 3 @ 120°, 4 @ 90°, or 2 @ 180° bolt patterns on 3.5" to 5" diameter bolt circles to accommodate 1/4" to 3/8" diameter anchor bolts. The adapter plate also includes slots on a 6.5" bolt circle diameter for use with field drilled anchors when existing anchor bolts do not match the universal mounting plate or are damaged and have to be removed. The adapter plate includes four stainless steel leveling bolts and two spirit levels at 90° to ensure level installation on the foundation. The bollard mounting cover plate may be rotated 360° to ensure proper alignment of the bollard and light distribution to the illuminated area. Center conduit hole is designed to accommodate two 3/4" PVC conduits.



**ANCHOR BOLT  
RETROFIT  
ADAPTER PLATE**

Fits most  
existing 3-Bolt  
or 4-Bolt Patterns



**BOLLARD MOUNTING  
COVER PLATE**

Allows mounting of bollard using the  
bollard cast aluminum base plate



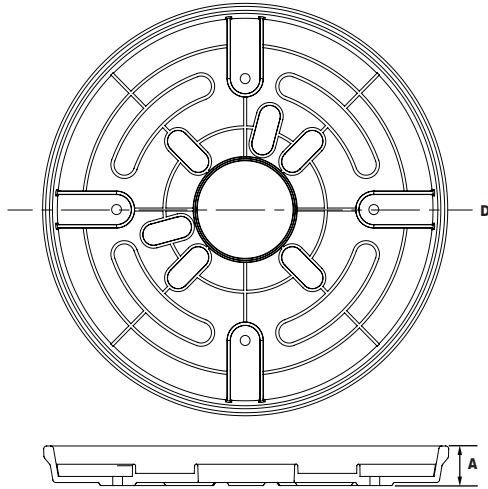
Date: \_\_\_\_\_ Type: \_\_\_\_\_ Catalog Number: \_\_\_\_\_

Project Name: \_\_\_\_\_

### ORDERING INFORMATION

LUMINAIRE	
MODEL	FINISH
RFBASE Bollard Retrofit Base Kit	BRZ Bronze
	BLK Black
	CC Custom Color

### ANCHOR BOLT RETROFIT ADAPTER PLATE



#### Dimensions

Diameter (D)	10 <sup>3</sup> / <sub>4</sub> " (271mm)
Height (A)	1" (26mm)

### BOLLARD MOUNTING COVER PLATE

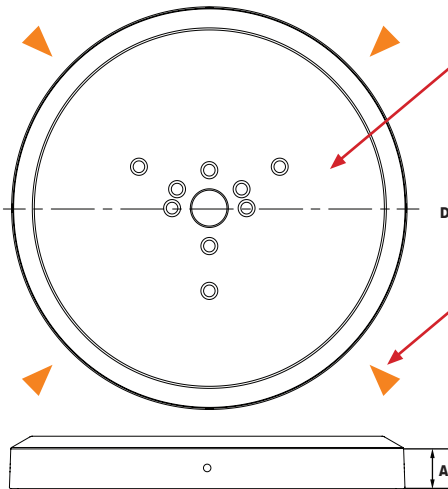


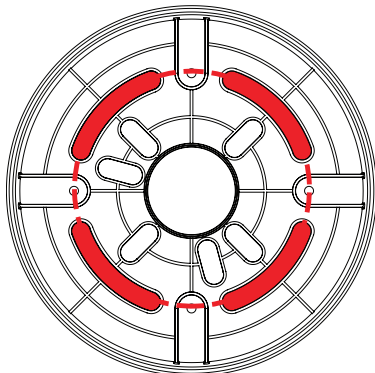
Plate has threaded holes in patterns for each bollard size. Mounting bolts are included. Bollard base mounts to plate.

Plate includes 4 set screws on sides at 90 degrees for locking base over to mounting plate. Fully rotatable.

#### Dimensions

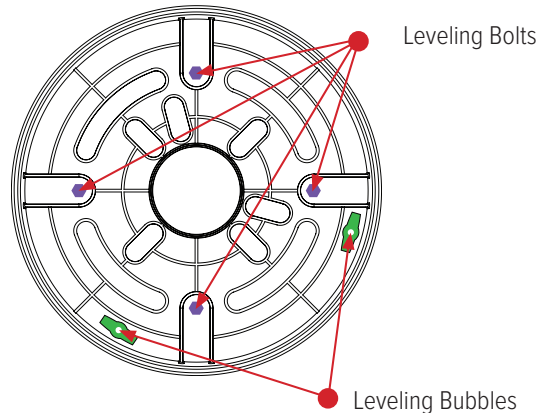
Diameter (D)	11 <sup>1</sup> / <sub>2</sub> " (292mm)
Height (A)	1 <sup>1</sup> / <sub>2</sub> " (38mm)

Anchor Bolt Retrofit Adapter Plate allows for mounting with field installed drilled anchors

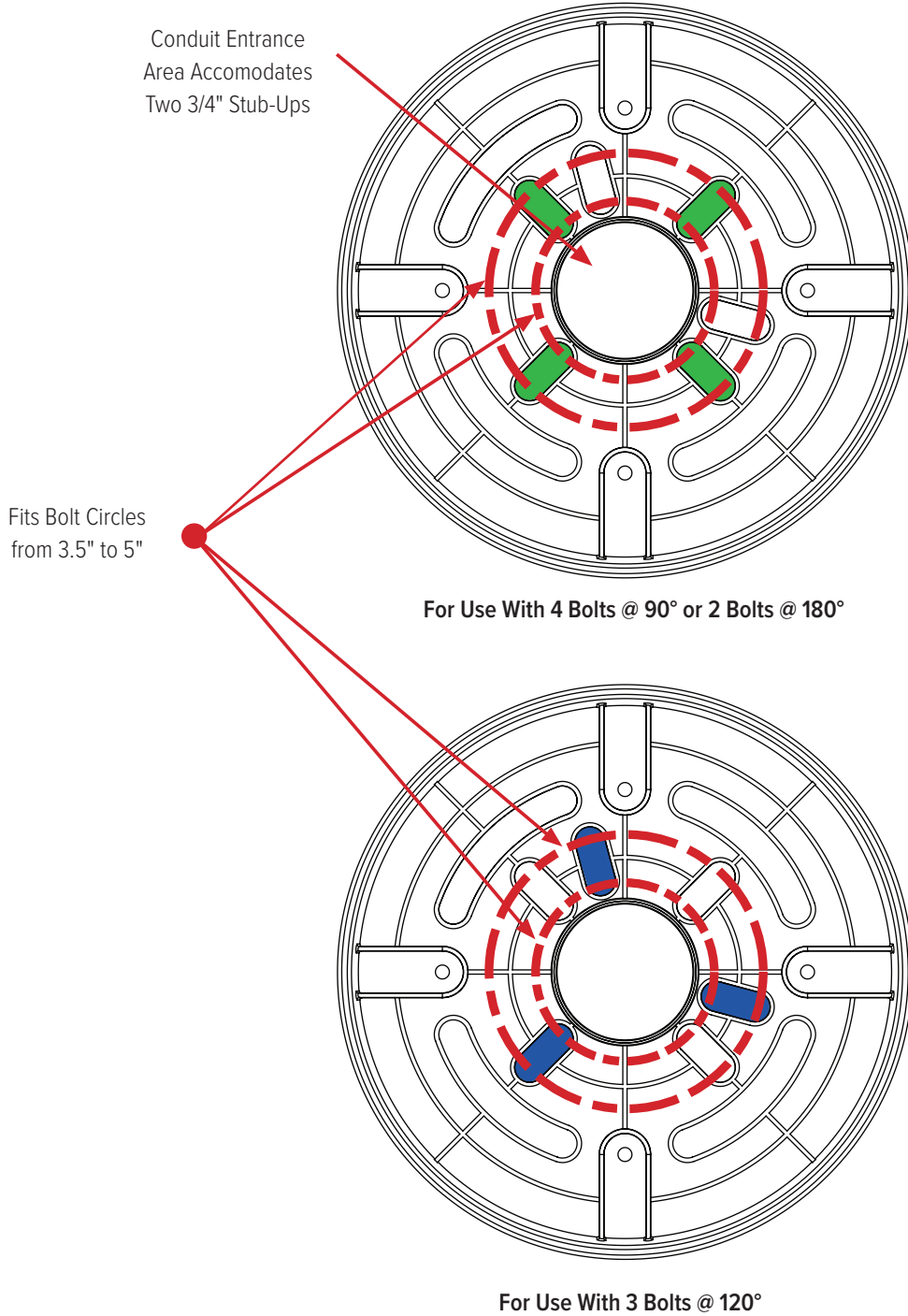


6.5" Bolt Circle for field drilled anchors. Used when existing anchor bolts do not fit 4-bolt or 3-bolt slots or are damaged. These must be cut off and new drilled anchors installed.

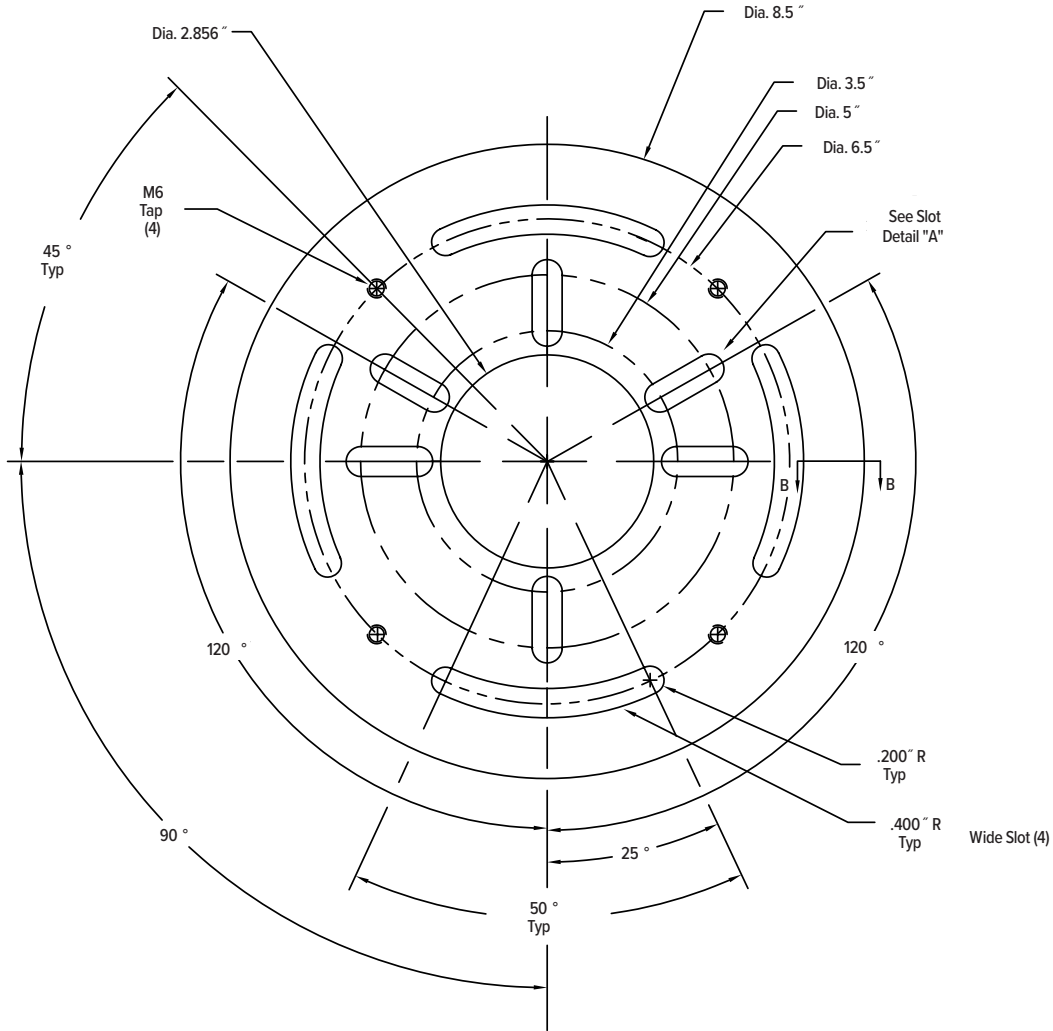
Anchor Bolt Retrofit Adapter Plate includes 4 leveling bolts and 2 levels



ANCHOR BOLT RETROFIT ADAPTER PLATE  
Bolt Circles For Use With Existing Anchor Bolts



ADAPTER PLATE DIMENSIONS



Not to Scale

Slot Detail "A" (6)  
 Slots Total  
 Not to Scale

