

PWP1-L

Large Wall Pack



DESCRIPTION

The PWP1 Large Wall Pack is a full cutoff LED luminaire perfect for retail centers, industrial parks, schools, office buildings, and medical facilities. Depending on mounting height, uniformity requirements, and desired illumination levels, the luminaire is ideal for new construction or as a replacement for existing metal halide lighting systems ranging from 175 to 400 watts, delivering both effective lighting and significant cost savings. Available with numerous options for surge protection, photocell control, and microwave motion sensing, the PWP1 Large Pantheon Wall Pack is a versatile product that can meet your application needs.



Date: _____ Type: _____ Catalog Number: _____

Project Name: _____

ORDERING INFORMATION

LUMINAIRE						
MODEL	OUTPUT	CCT	VOLTAGE	OPTIC	FINISH	OPTIONS
PWP1-L Large Wall Pack	81W 81 Watts	40K 4000K	UNV 120-277V	T4 Type IV	DB Dark Bronze	SF Single Fuse, 120-277V models only ¹
	112W 112 Watts	50K 5000K	347V 347-480V		CC Custom RAL Color	DF Double Fuse, 120-277V models only ¹
	174W 174 Watts					SP Surge Protection - 10KV
						PCR3 3-Pin Twist Lock Photocell Receptacle
						PCR5 5-Pin Twist Lock Photocell Receptacle
						PCR7 7-Pin Twist Lock Photocell Receptacle
						PC Photocell, 120-277VAC
						MSD Microwave Motion Sensor with Dimming ¹ For Mounting Heights ≤25'
						MS On/Off Microwave Motion Sensor ¹ For Mounting Heights 8' to 19'
						EM Emergency Battery Backup ¹
						EMC Cold Start Emergency Battery Backup ¹ -20°C, 90 Minutes

¹120-277V models only

Custom solutions are available; consult factory via phone at (864) 487-3535 ext. 258 or via email at DesignServices@EXP-Brands.com.

See Page 4 for ordering information of available accessories.

DLC Qualified Items:

- PWP1-S-81W-40K-UNV, PWP1-S-81W-50K-UNV
- PWP1-S-112W-40K-UNV, PWP1-S-112W-50K-UNV
- PWP1-S-174W-40K-UNV, PWP1-S-174W-50K-UNV



		PWP1-L
PHYSICAL	HOUSING	Die-Cast Aluminum with Full Cutoff Frame
	LENS	Clear Polycarbonate Lens
	HARDWARE	Nickel-Plated Stainless Steel Hardware
	OPERATING TEMPERATURE	-40°F to 104°F
	FINISH	Powder Coat Finish
	MOUNTING HEIGHT	18 to 35 Feet
	MOUNTING	Mount Directly Over a 4" Recessed Outlet Box Includes Easy-Hang Wall Mounting Bracket with Built-In Level

ELECTRICAL	POWER	81 Watts	112 Watts	174 Watts
	CURRENT	0.68 Amps @ 120 Volts 0.29 Amps @ 277 Volts	0.93 Amps @ 120 Volts 0.40 Amps @ 277 Volts	1.45 Amps @ 120 Volts 0.63 Amps @ 277 Volts
	VOLTAGE	Universal 120 to 277 Volts or High Voltage 347-480 Volts		
	DRIVER	Electronic Internal Driver, Less Than 20% THD Dimming Source Current: 150 Microamps		
	SURGE SUPPRESSION	Standard Internal Surge Suppression 6kV		
	CONTROL	0-10v Dimming for a Dimming Range of 100% to 10%		
	FREQUENCY	50/60Hz		
	POWER FACTOR	> 0.90		

PHOTOMETRIC	LED	Static White 4000K or 5000K
	CRI	80
	OPTICS	Type IV Distribution
	DELIVERED LUMEN OUTPUT	up to 20,704 Lumens
	EFFICACY	up to 110 Lumens per Watt
	LUMEN MAINTENANCE	L70 > 100,000 Hours at 77°F*

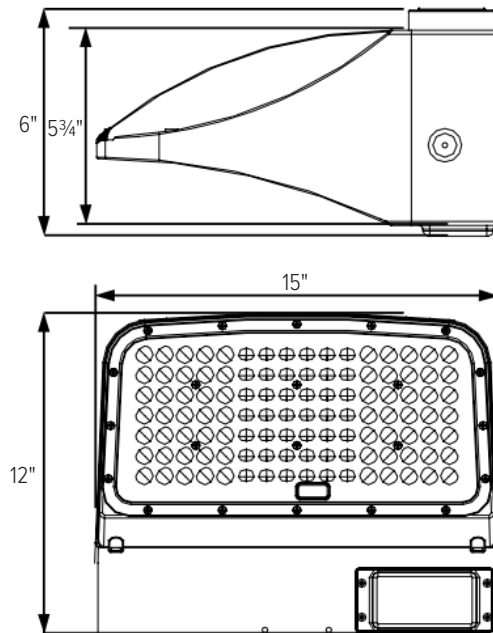
LIGHT DISTRIBUTIONS	CCT	DATA	81 WATTS	112 WATTS	174 WATTS
	4000K	LUMENS		9700	13636
EFFICACY			104	104	108
BUG RATING			B3-U3-G3	B3-U0-G3	B3-U0-G3
5000K	LUMENS		10402	14049	20704
	EFFICACY		112	107	110
	BUG RATING		B3-U3-G3	B3-U0-G3	B3-U0-G3

Values reflect delivered lumens at full output.

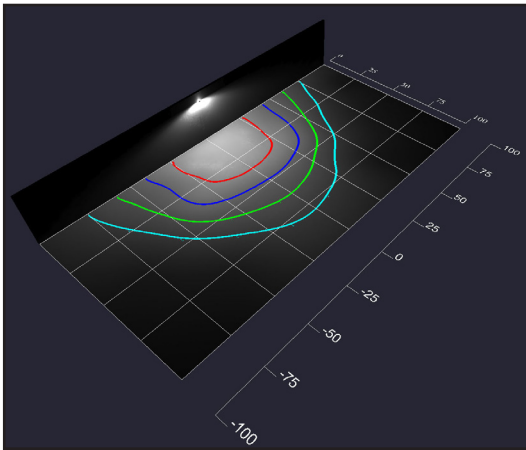
CERTIFICATIONS	SAFETY	ETL Listed for Wet Locations
	DLC	DLC Qualified (applies to specific models found on page 1)
	INGRESS PROTECTION	IP66
	WARRANTY	Five-Year Limited Warranty

DIMENSIONS

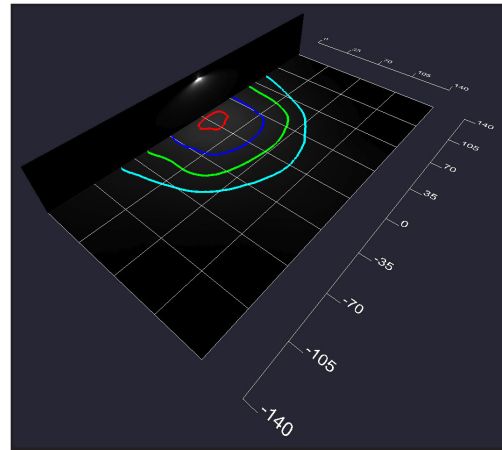
All dimensions are shown in inches.



PHOTOMETRICS



PWP1-L/174W-50K-UNV-T4
Type IV
Grid in MH
MH=25 Feet



PWP1-L/174W-50K-UNV-T4
Type IV
Grid in MH
MH=35 Feet

ACCESSORIES

ORDERING INFORMATION

ACCESSORIES

MODEL

TLNSC

Twist Lock Non-Shorting (Open) Cap Disconnects Service to Fixture for Temporary or Permanent Disabling (Fixture Always Off). IP65, 480V Maximum.

TLSC

Twist Lock Shorting Cap Provides Fixed Service to Fixture (Fixture Always on). IP65, Rated Load 7200w Tungsten.

PCTD120

120VAC Time Delay Twist Lock Photocell

PCTD277

277VAC Time Delay Twist Lock Photocell

PCUNVTL

120-277VAC Universal Twist Lock Photocell

PWP1LTP

Aluminum Two-Piece Trim Plate, Bronze Powdercoat Finish, 16½"W x 8⅝"H



PWP1LTP
Shown Mounted.